

Flexibility, innovation and safety  
for your work

## COUNTERBALANCED CRANES WITH FIX JIB ARM - MANUAL OR ELECTRIC CONTROLLED JIB EXTENSION - LARGE CAPACITY

A complete range of counterbalanced cranes with manual traction, , with a maximum capacity up to 1.000 kg and outreach up to 2.000 mm. Hydraulic lever controlled fast lift double action pump or electric controlled. They represent the most cost-effective and flexible solution for lifting and transporting loads in several applications such as machining centers and machine tools, delivery to assembly lines, assembly operations, goods handling. Thanks to their minimum frontal footprint of just 800mm they can be moved in narrow lanes and spaces and are easily maneuverable even at full load without efforts. All components are made in Italy to ensure the highest construction quality and the absence of defects.



The hydraulic system is equipped with a lock valve that prevents the load from falling in case of accidental breakage of the pipes and a rough valve that prevents overloading of the crane.

Tiller arm equipped with gas spring and double wheels Ø 200 mm with ball bearings and braking system; 2 fixed front wheels Ø 250 mm with bearings to make it easy to move.

The frame is made of painted steel and is equipped at the base with 2 useful forklift supports to lift and transport the crane safely on long distances. 360 ° swivel hook type.

**CERTIFICATION  
AND  
COMPLIANCE  
WITH  
REGULATIONS  
FOR THE  
PROTECTION  
AND SAFETY IN  
THE  
WORKPLACE**

**Flexlifting - a brand of AxA Group srl**

Via Morandi 21, 40060 Toscanella di Dozza (Bologna) Italy Tel +39 0542673434

email: [info@flexlifting.com](mailto:info@flexlifting.com) website: [www.flexlifting.com](http://www.flexlifting.com)

**GZ1000**  
**CAPACITY 1000 KG**  
**COUNTERBALANCED GRANE FIX JIB ARM - HYDRAULIC LEVER CONTROLLED**  
**FAST LIFT DOUBLE ACTION PUMP - FINE CONTROL DESCENT KNOB**



Technical data	UM	GZ1000
Weight	[kg]	1150
Max capacity	[kg]	1000
Max pressure	[bar]	160
Tank capacity	[Liters]	3
Cylinder stroke	[mm]	550

Model GZ1000 is equipped with a lever controlled fast lift and lightweight double action pump .

The control descent knob make it possible to adjust the descent speed. The arm is extendable in 4 positions and an optional arm extension is available to get a maximum outreach of 2000 mm.

**Model GZ1000 being a crane with manual lifting does not require a third-party certification according to current legislation or obligation of periodic checks.**

CAPACITY AND DIMENSIONS WITH STANDARD JIB ARM		
POS.	Length	Capacity GZ1000
	[mm]	[kg]
1	650	1000
2	850	835
3	1050	670
4	1250	500

800mm front footprint

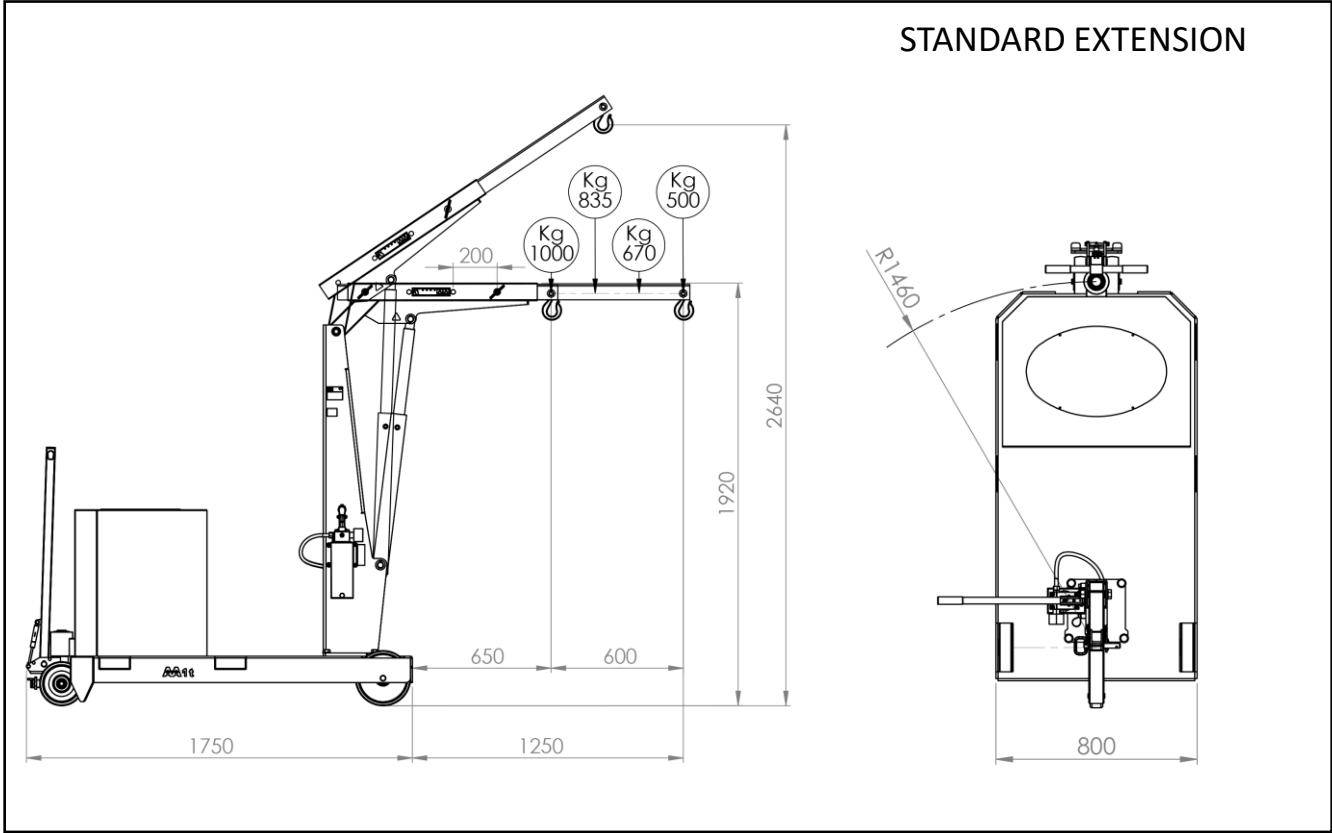
Detail of the hand pump with rod housing support and knurled knob

CAPACITY WITH OPTIONAL EXTENDED JIB ARM		
POS.	Length	Capacity GZ1000
	[mm]	[kg]
1	1400	450
2	1600	390
3	1800	325
4	2000	275

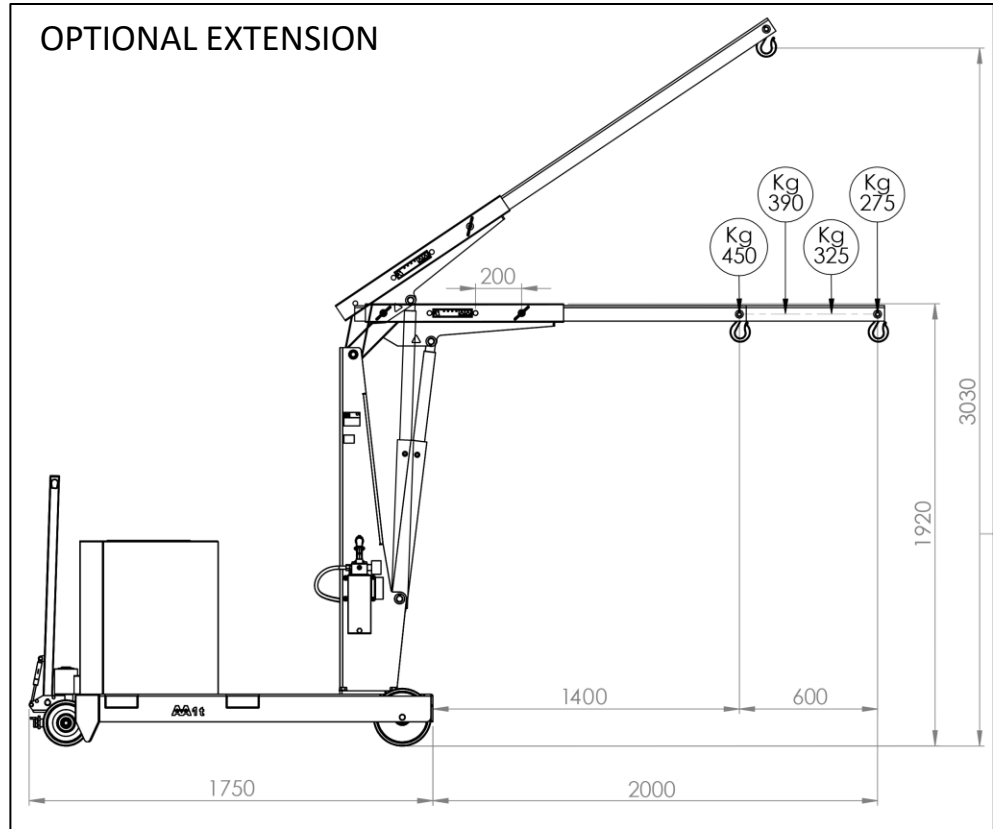


**GZ1000**  
**TECHNICAL DRAWINGS, DIMENSIONS AND CAPACITIES**  
 The most cost effective and flexible crane

**STANDARD EXTENSION**



**OPTIONAL EXTENSION**



For an unlimited number of applications.

No obligation to carry out periodic verification.