



Flexibility, innovation  
and safety for your work

**01M5AISI**  
**STAINLESS STEEL 360° SWIVEL CRANE**  
**CAPACITY 500 KG**



The counterbalanced crane 01M5AISI represents the most cost-effective and flexible solution for lifting and transporting loads whereas a high resistance to corrosion is requested. The cleanability of stainless steel makes it the first choice in hospitals, kitchens, food and pharmaceutical processing facilities. Thanks to its compact dimensions the crane 01M5AISI offers a great maneuverability even at full load and can be moved effortlessly in confined spaces. All components are made in Italy to ensure the highest construction quality and the absence of defects.

**CERTIFICATION AND COMPLIANCE WITH REGULATIONS FOR THE PROTECTION AND SAFETY IN  
THE WORKPLACE**

**01M5AISI**  
CAPACITY 500 KG  
**COUNTERBALANCED SWIVEL CRANE HYDRAULIC LEVER CONTROLLED FAST LIFT DOUBLE ACTION PUMP –FINE CONTROL DESCENT KNOB**

The crane 01M5AISI is equipped with a lever controlled fast and lightweight lift double action pump. The control descent knob make it possible to adjust the descent speed. The arm is extendable in 4 positions and an optional arm extension is available to get a maximum outreach of 1270mm.

**The model 01M5AISI being a crane with manual lifting does not require a third-party certification according to current legislation or obligation of periodic checks.**

Technical Data	UM	01M5AISI
Weight	[kg]	600
Max capacity	[kg]	500
Max pressure	[bar]	50
Tank capacity	[Litri]	2
Cylinder stroke	[mm]	470

**The hydraulic system is equipped with a lock valve that prevents the load from falling in case of accidental breakage of the pipes and a rough valve that prevents overloading of the crane.**

It is equipped with 2 high-capacity pivoting wheels with bumper mounts and parking brakes and with 2 fixed front wheels with bearings. Swivel hook type. Rotating Jib arm with 8 locking positions.

CAPACITY AND DIMENSIONS WITH STANDARD JIB ARM		
POS.	Length [mm]	Capacity
		01M5AISI [kg]
1	365	500
2	500	420
3	635	370
4	770	320

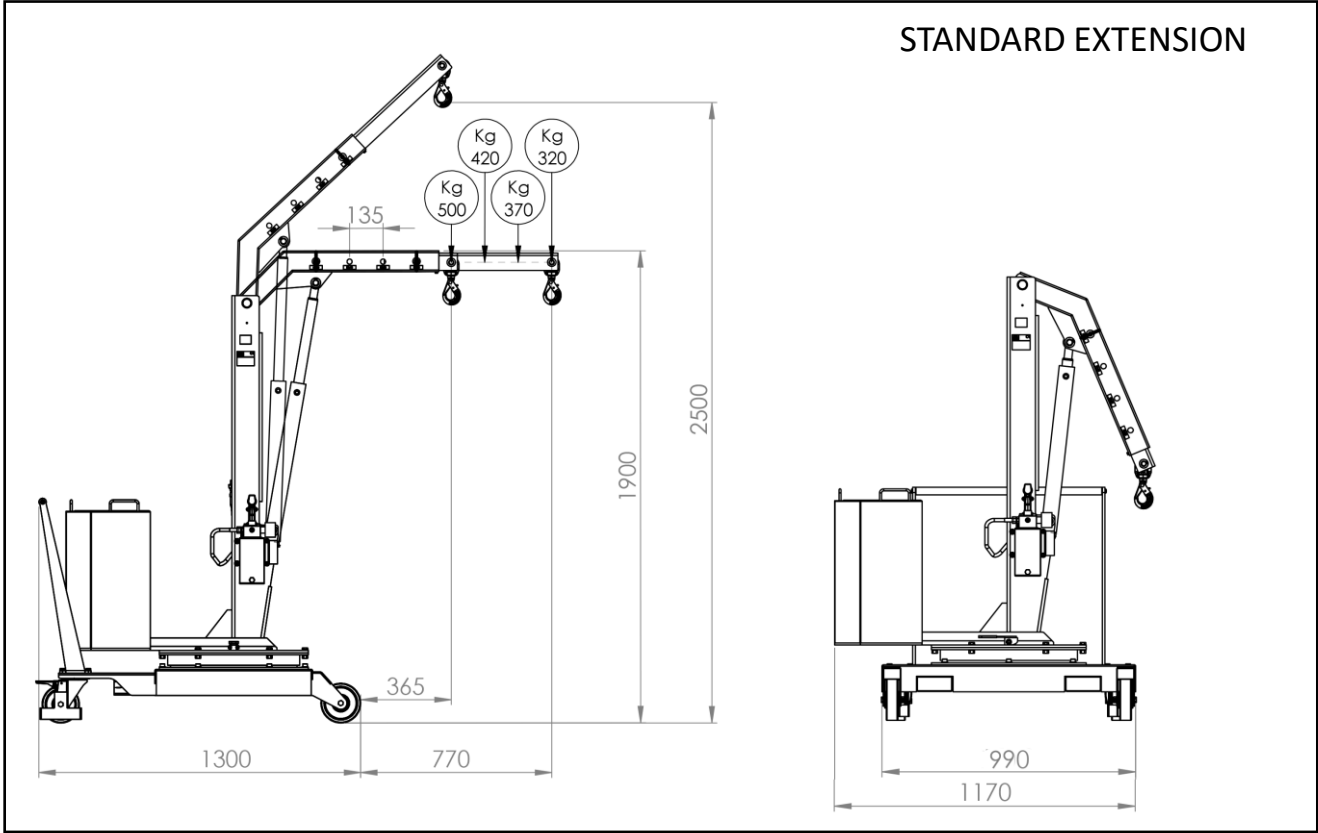
CAPACITY WITH STANDARD EXTENDED JIB ARM		
POS.	Length [mm]	Capacity
		01M5AISI [kg]
1	865	220
2	1000	200
3	1135	180
4	1270	160



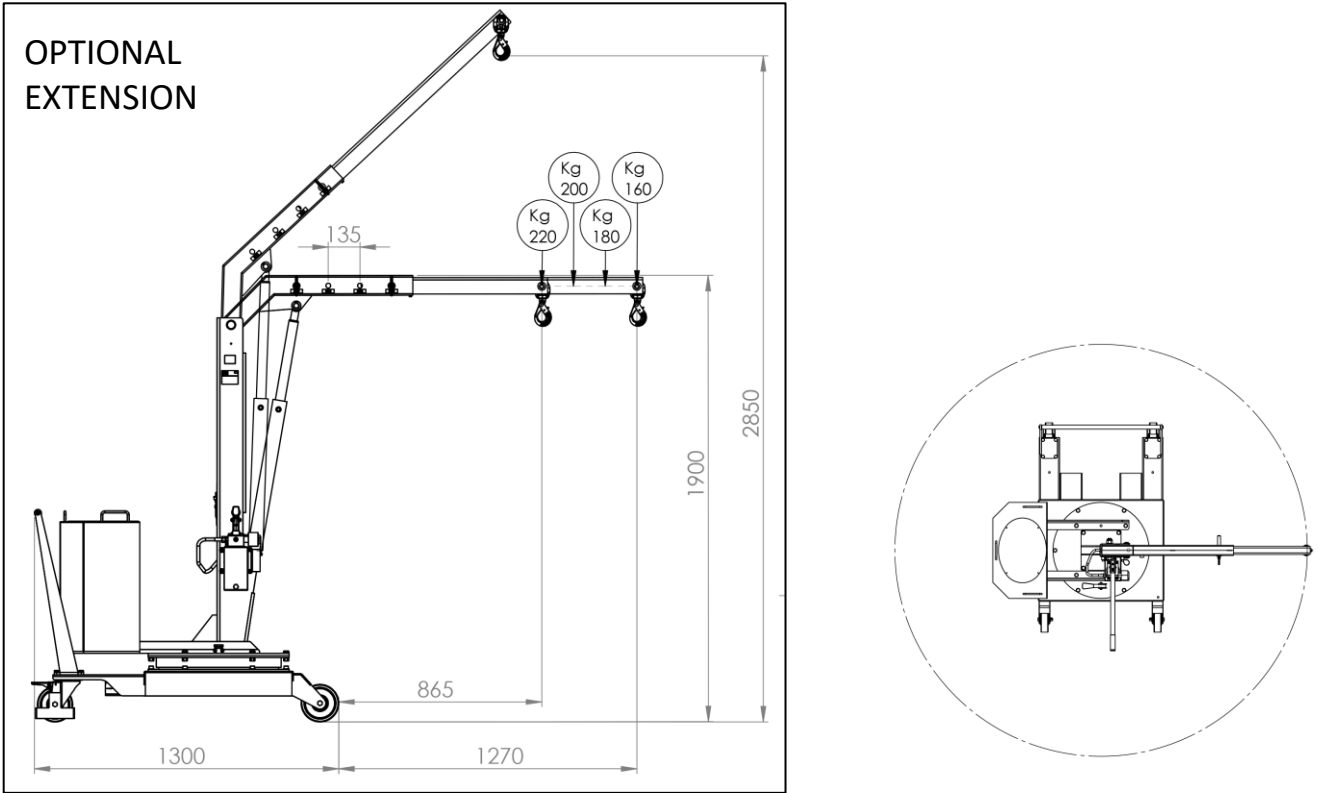
- **FRAME AND COMPONENTS IN AISI304.**
- **PUMP AND TANK IN AISI316.**
- **PAINTED STEEL SLEWING RING WITH STAINLESS STEEL AISI304 PROTECTIVE CAP**

**01M5AISI**  
**TECHNICAL DRAWINGS, DIMENSIONS AND CAPACITIES**

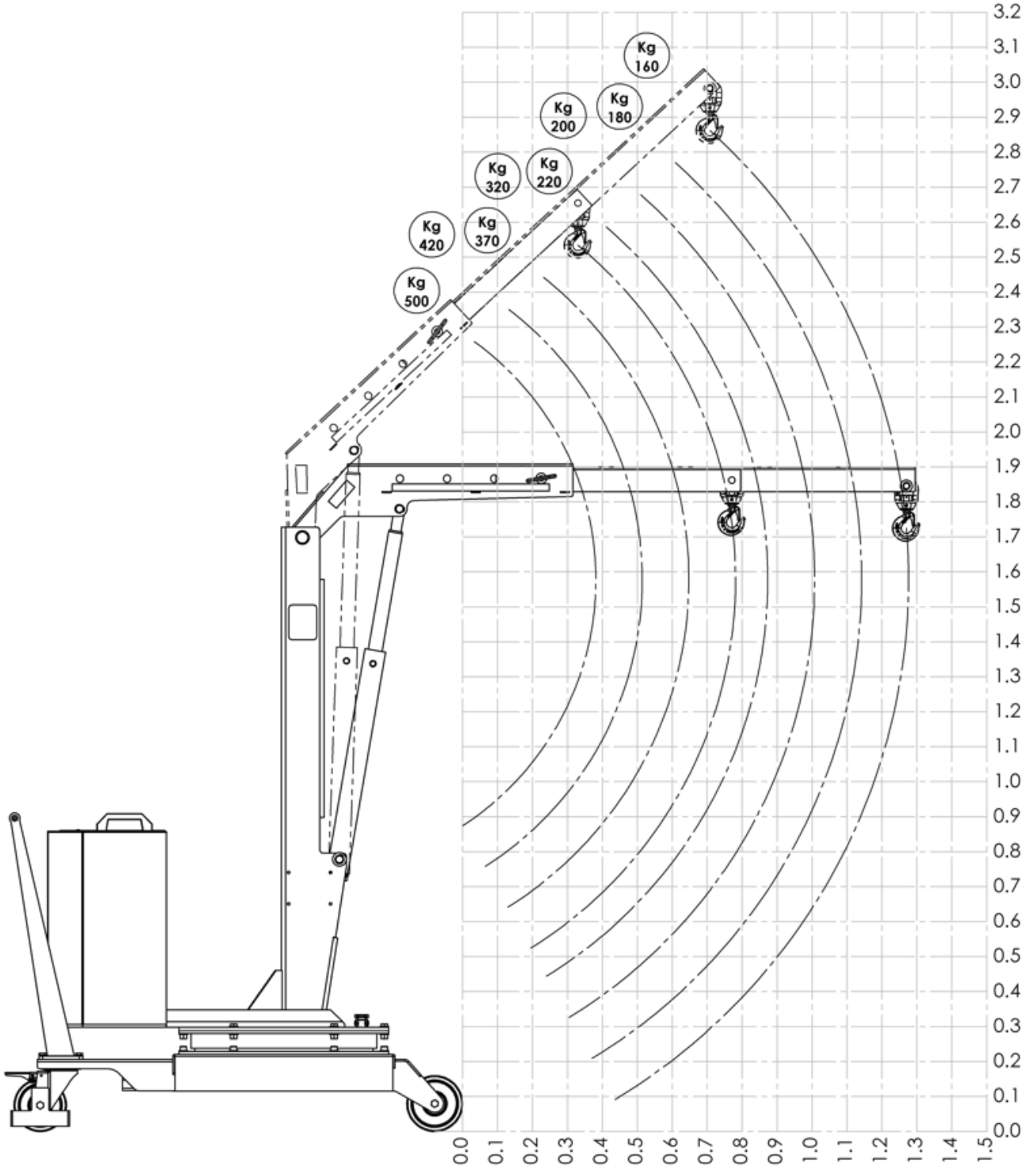
**STANDARD EXTENSION**



**OPTIONAL EXTENSION**



**01M5AISI**  
**TECHNICAL DRAWINGS, DIMENSIONS AND CAPACITIES**





a brand of AxA Group



Flexibility, innovation and safety for your work

**A COMPLETE RANGE  
OF COUNTERBALANCED 360° SWIVEL CRANES FOR ANY APPLICATION  
SPECIAL CRANES AND CUSTOM PROJECTS ON DEMAND**

**IN COMPLIANCE WITH SAFETY REGULATIONS  
TO ENSURE YOUR PRODUCTIVITY**



Flex Lifting è un brand di AxA Group srl

Via Morandi 21, 40060 Toscanella di Dozza (Bologna) Italy Tel +39 0542673434 email: [info@flexlifting.com](mailto:info@flexlifting.com) website: [www.flexlifting.com](http://www.flexlifting.com)