

FLEX F1000SB
MAX. CAPACITY MAX 1000Kg – 1000 MM SINGLE ELECTRIC CONTROLLED BOOM



TECHNICAL DATA	UM	FLEX F1000SB
WEIGHT	[kg]	1600
MAX CAPACITY	[kg]	1000
LIFTING MOTOR	[W]	800
TRACTION MOTOR	[W]	1200
TANK CAPACITY	[L]	3

TRACTION AND CONTROLLER			
2 BATTERIES		1 BATTERY CHARGER	
[V]	[A]	[V]	[A]
2 x 12	2 x 120	24	12



OUTREACH AND CAPACITY WITH ELECTRIC BOOM 1000 MM STROKE	
OUTREACH	from 653 mm to 1653 mm
CAPACITY	from 1000 kg to 500 kg

Outreach and capacity with 500 mm mechanical extension (delivered as standard accessory)
2155 mm reach and fix capacity of 200 kg

A pivoting drive wheel with exceptional steering angle
Two fixed front elastic wheels

Equipped with 2 control levers that make it possible to activate the upward/downward motion of the jib arm as well as the extension and retraction with progressive speed

TILLER ARM

Maximum ergonomics : the operator can firmly grip the tiller handles with both hands

Safe driving : Tiller arm safety switch disables operation in non-allowed positions

Slow/fast speed : 2-speed driving
Slow mode of 1.5 km/hr ideal for tight spaces and to safely move the load
Standard speed of 3.0 km/hr to drive the crane along long distances

Audible motion warning device : Horn with anti-noise polyester axial capacitor

Anti-crush belly button: anti-crush button with automatic reversing switch to ensure the safety of the operator in every maneuvering operation

2 butterfly controls: for forward travel and backward travel controls

BUILT-IN CHARGER

Pulse model with single phase 220V high frequency input voltage and 24V output voltage.

Microprocessor indicator with relay for lifting block.

3 LEDs that indicate the operating status.

Remote RBC indicator for displaying the charging phase of the battery charger.

Indicator that shows the charge level of the batteries

Indicator that shows the completion of the charging cycle

220V **Schuko plug**

POWER DRIVE

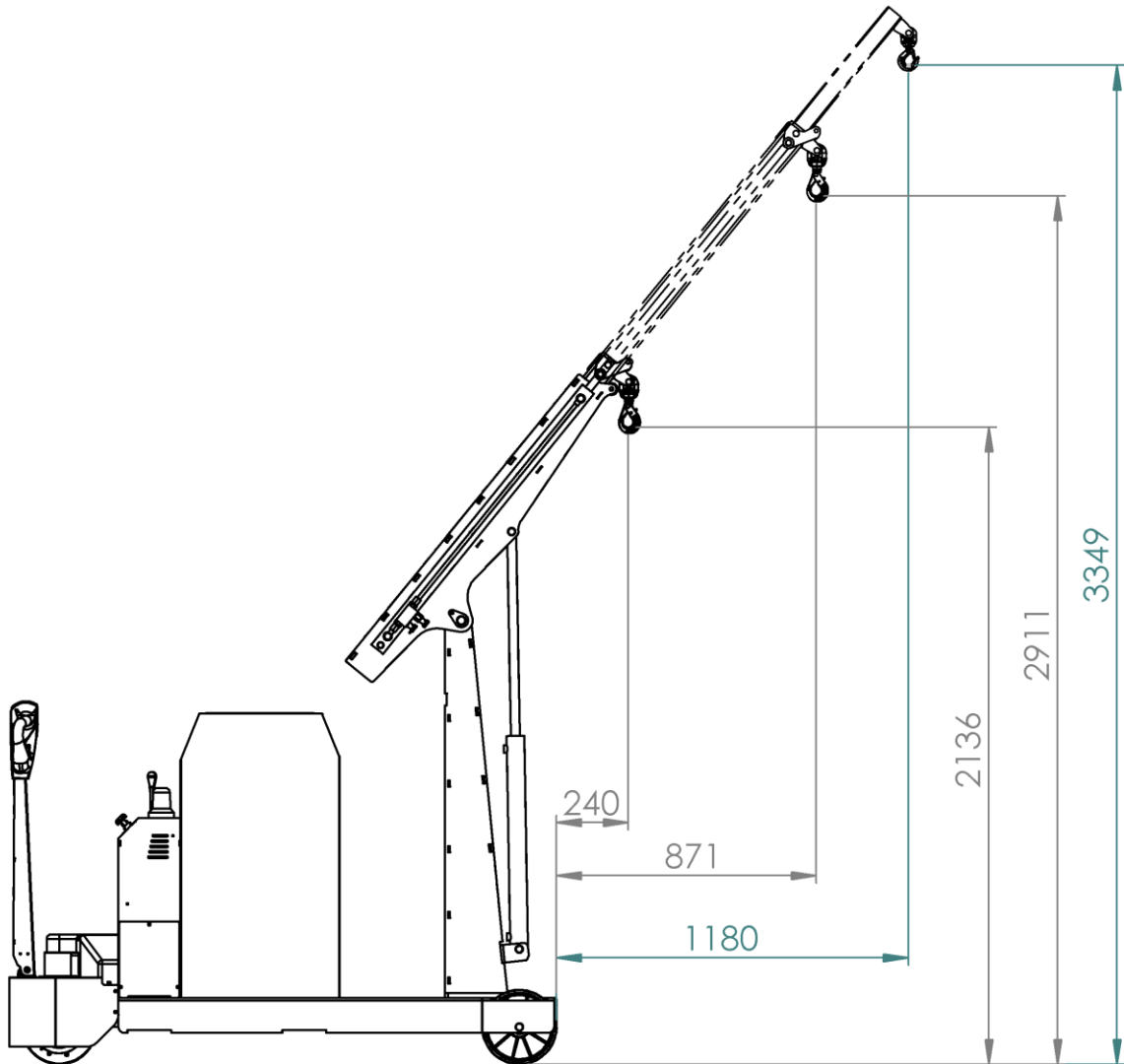
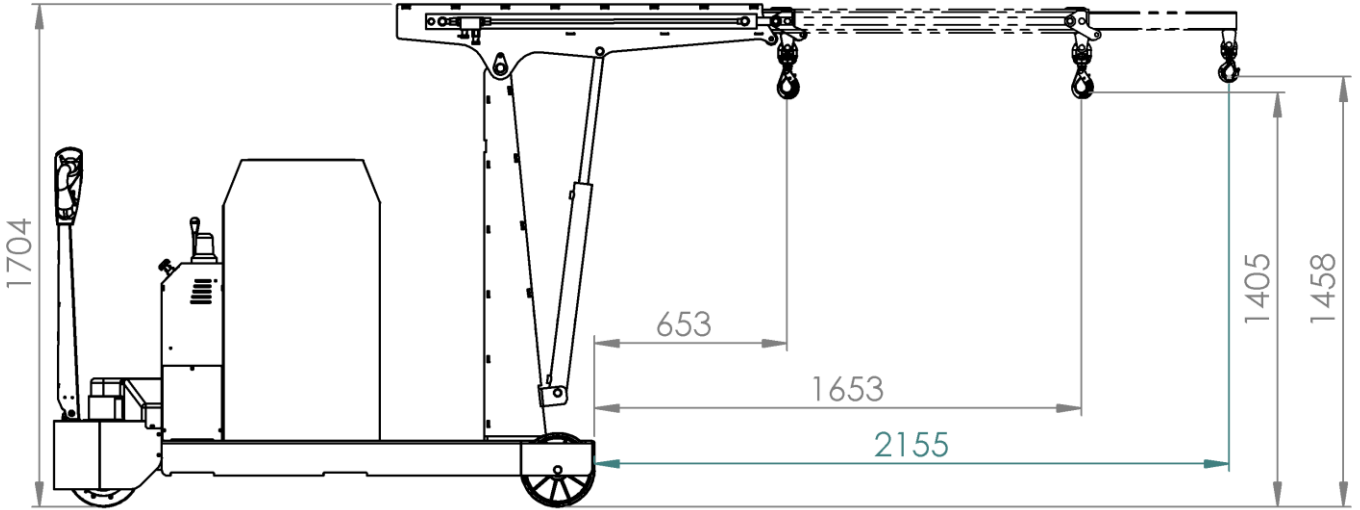
AC **traction motor** with recovery braking
Permanent magnet **drive wheel** in direct current
24V 700W
high frequency **MOSFET controller**.

DYNAMIC LOAD LIMITER

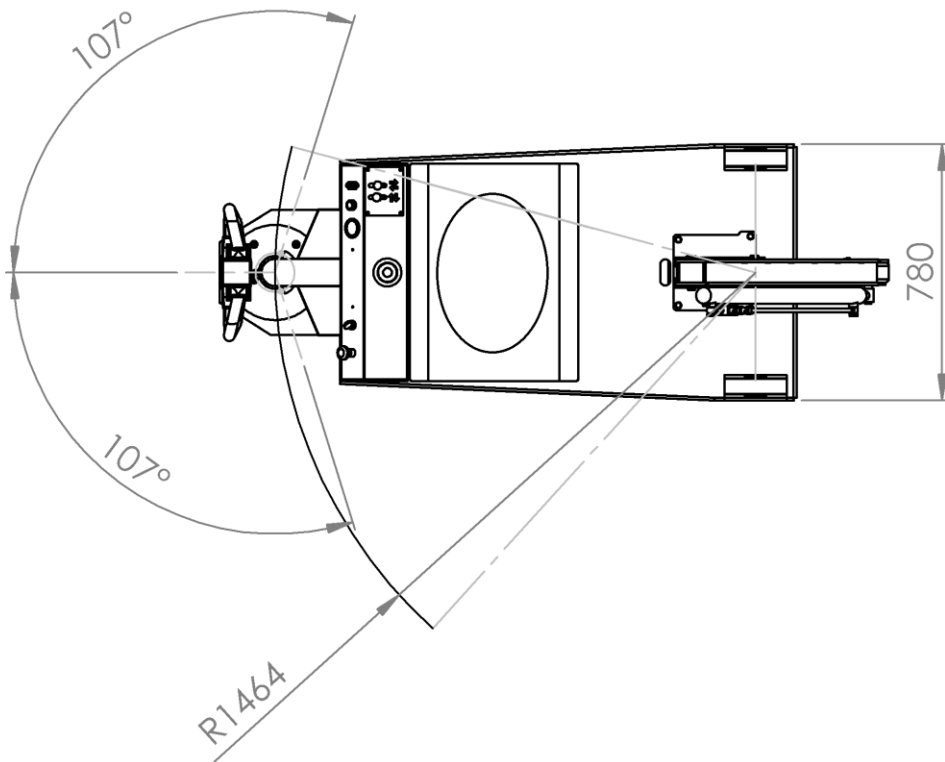
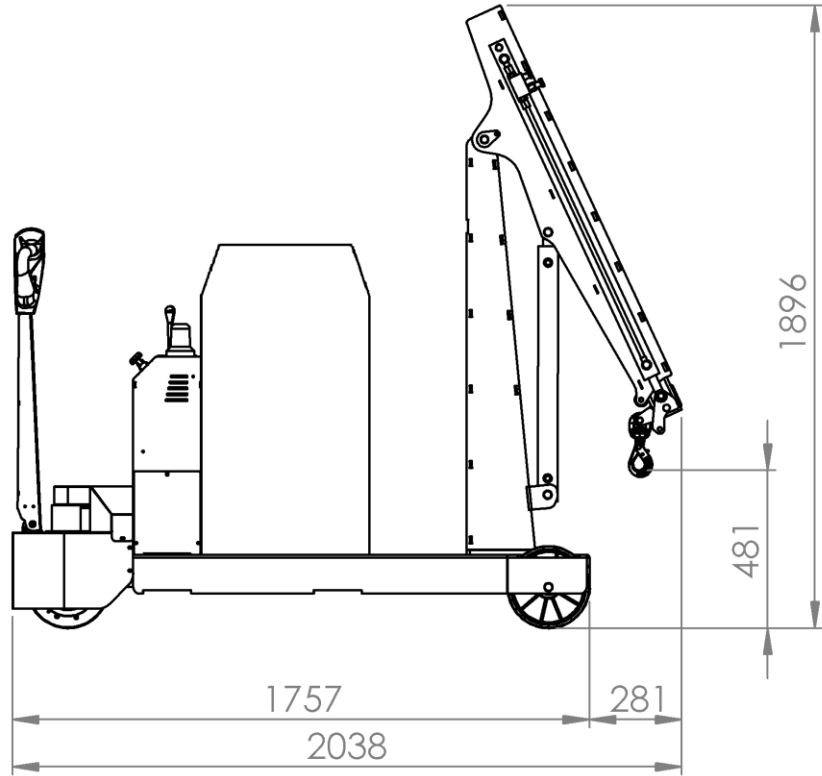
System for preventing overloading in each position of the extension that activates a mechanism that blocks the upward motion ensuring the functionality of the crane in absolute safety and that signals when the crane returns to allowed position, re-enabling the controls



Flex F1000SB
DRAWINGS



Flex F1000SB
DRAWINGS



Flex F1000SB
LOAD CHART

