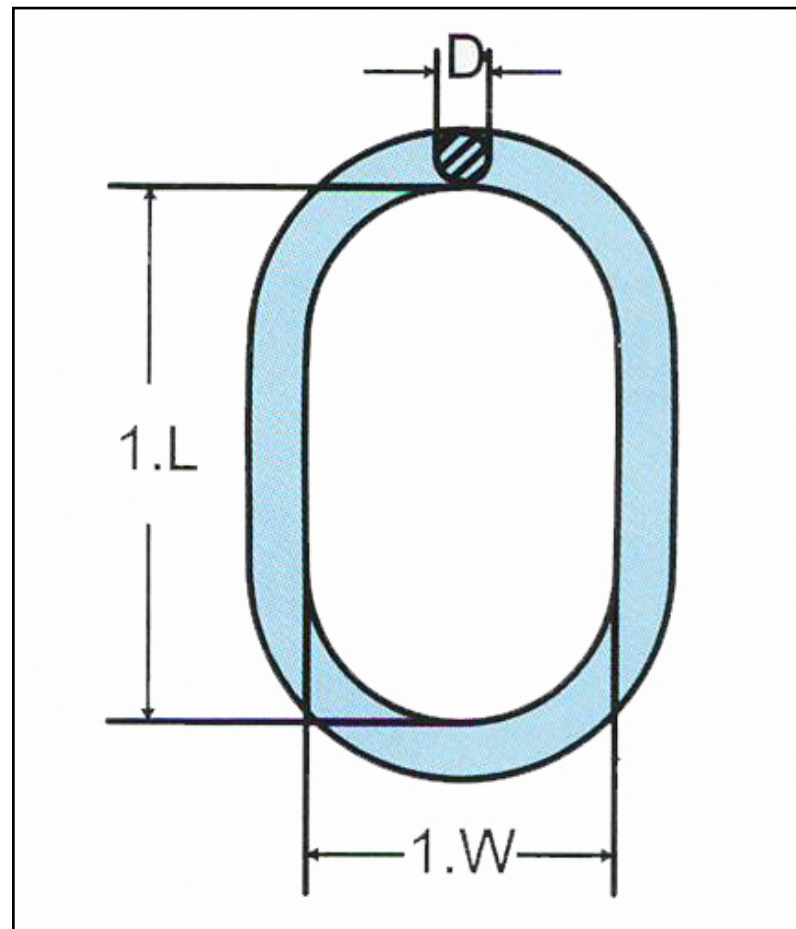


FORGED MASTER LINK SPL 342



Working Load Limit	Dimension(mm)			N.W
WLL(T)	D	IL	IW	Kg
2.2	13	127	63	0.36
3	16	152	76	0.7
4.7	19	140	70	0.93
6.4	22	160	90	1.5
11	25	178	89	2.1
16	32	220	110	4.24
21.7	38	267	133	7.17
28.4	45	305	152	11.55
44.3	51	355	178	17.2
65	57	406	203	24.5
66.8	63	406	203	30.9
98	70	406	241	39.5
103	76	457	229	50.34
119	83	508	254	65.68
126	89	610	305	90.24
152	95	508	254	89.27
169	102	508	254	103.43

Minimum Breaking Load = 4 x Working Load Limit